

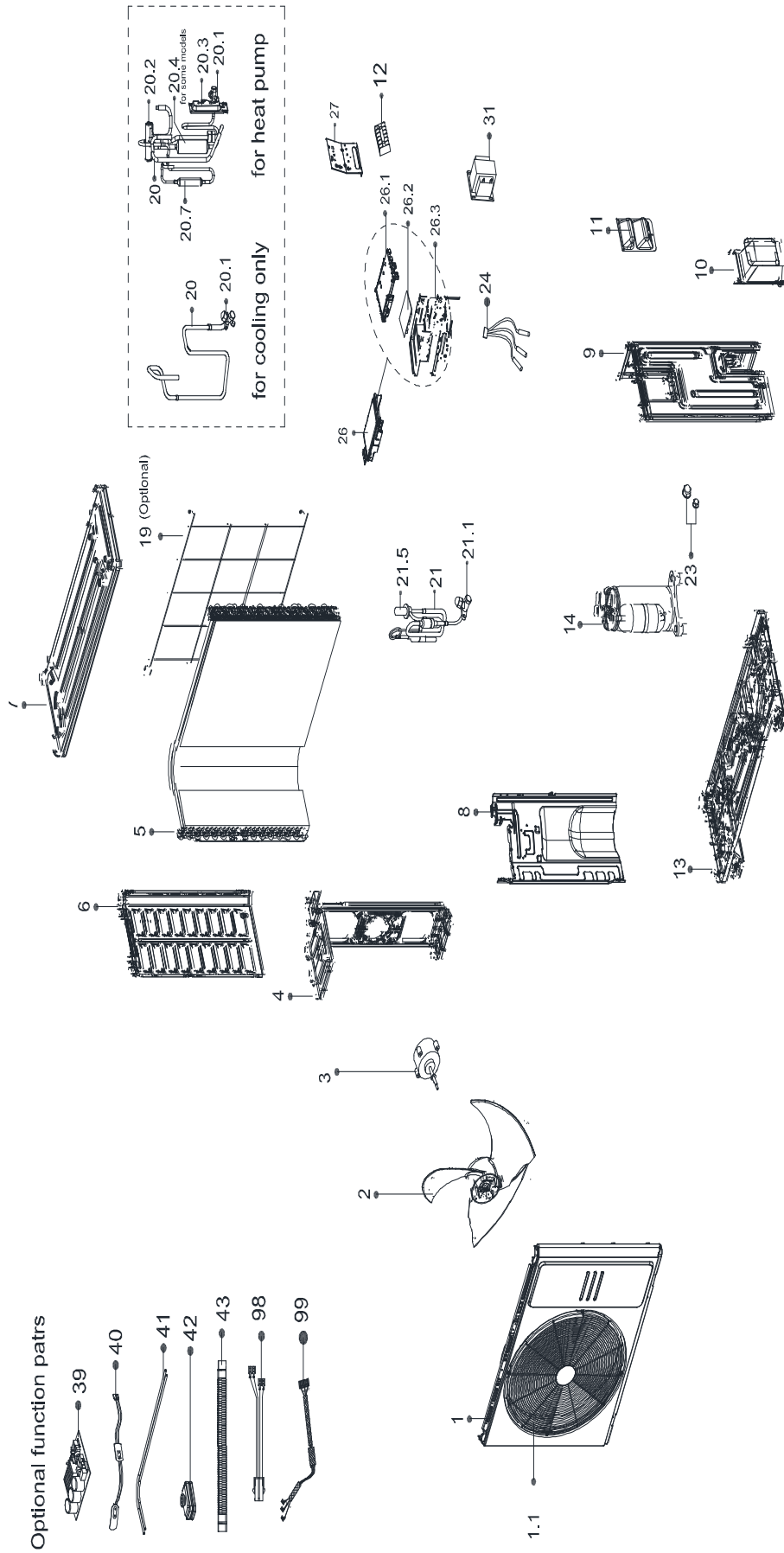


REPLACEMENT PARTS LIST

**Inverter Single Zone Ductless Mini-Split**

A-ZHP06SA-1

# EXPLODED VIEW



# REPLACEMENT PARTS

| Location | Part Name                          | Quantity | Part No.       |
|----------|------------------------------------|----------|----------------|
| 1        | Front panel assembly               | 1.0      | 12222000A06282 |
| 1.1      | Air outlet grille                  | 1.0      | 12222000A06092 |
| 2        | axial flow fan                     | 1.0      | 12100105000841 |
| 3        | Motor                              | 1.0      | 11002015016275 |
| 4        | Motor bracket                      | 1.0      | 12222000012371 |
| 5        | Condenser assembly                 | 1.0      | 15822000015846 |
| 6        | Left supporter                     | 1.0      | 12222000013472 |
| 7        | Top cover                          | 1.0      | 12222200005737 |
| 8        | Partition board                    | 1.0      | 12222000019785 |
| 9        | right side plate                   | 1.0      | 12222000019846 |
| 10       | Water collector                    | 1.0      | 12122000007150 |
| 11       | handle                             | 1.0      | 12222000010966 |
| 12       | Terminal block                     | 1.0      | 17400401006456 |
| 13       | Chassis assembly                   | 1.0      | 12222000014505 |
| 14       | compressor                         | 1.0      | 11103020014063 |
| 19       | Rear Grille                        | 1.0      | 12222000013085 |
| 20       | 4-ways valve or Gas valve assembly | 1.0      | 15422000026107 |
| 20.1     | Gas valve                          | 1.0      | 15500204000665 |
| 20.2     | 4-way valve                        | 1.0      | 15500216002683 |
| 20.3     | Valve plate                        | 1.0      | 12222200005738 |
| 20.4     | Muffler assembly                   | 1.0      | 15122000034757 |
| 20.7     | Muffler assembly                   | 1.0      | 15122000031742 |
| 21       | High pressure valve assembly       | 1.0      | 15422000025069 |
| 21.1     | High pressure valve                | 1.0      | 15500208000028 |
| 21.5     | Electronic expansion valve         | 1.0      | 15500213000047 |
| 23       | Copper nut                         | 1.0      | 15500406000016 |
| 23       | Copper nut                         | 1.0      | 15500406000010 |
| 24       | combination sensor                 | 1.0      | 11201011001047 |
| 26       | Electronic control box subassembly | 1.0      | 17222000044080 |
| 26.1     | Electronic installing box          | 1.0      | 12222000019786 |
| 26.2     | main control board assembly        | 1.0      | 17122000063942 |
| 26.3     | Electronic installing box assembly | 1.0      | 12222000019767 |
| 27       | Terminal board                     | 1.0      | 12222000019766 |
| 31       | Reactor                            | 1.0      | 17400306000041 |
| 33       | Outdoor unit trademark             | 1.0      | 16000201001228 |
| 40       | Crankcase electric heater          | 1.0      | 17402001001499 |
| 41       | Electric heater of chassis         | 1.0      | 17402002000544 |
| 99       | compressor connection cable        | 1.0      | 17401203027680 |

---

Due to ongoing product improvements, specifications and dimensions are subject to change and correction without notice or incurring obligations. Determining the application and suitability for use of any product is the responsibility of the installer. Additionally, the installer is responsible for verifying dimensional data on the actual product prior to beginning any installation preparations.

Incentive and rebate programs have precise requirements as to product performance and certification. All products meet applicable regulations in effect on date of manufacture; however, certifications are not necessarily granted for the life of a product. Therefore, it is the responsibility of the applicant to determine whether a specific model qualifies for these incentive/rebate programs.



1900 Wellworth Avenue • Jackson, MI 49203 • 517-787-2100